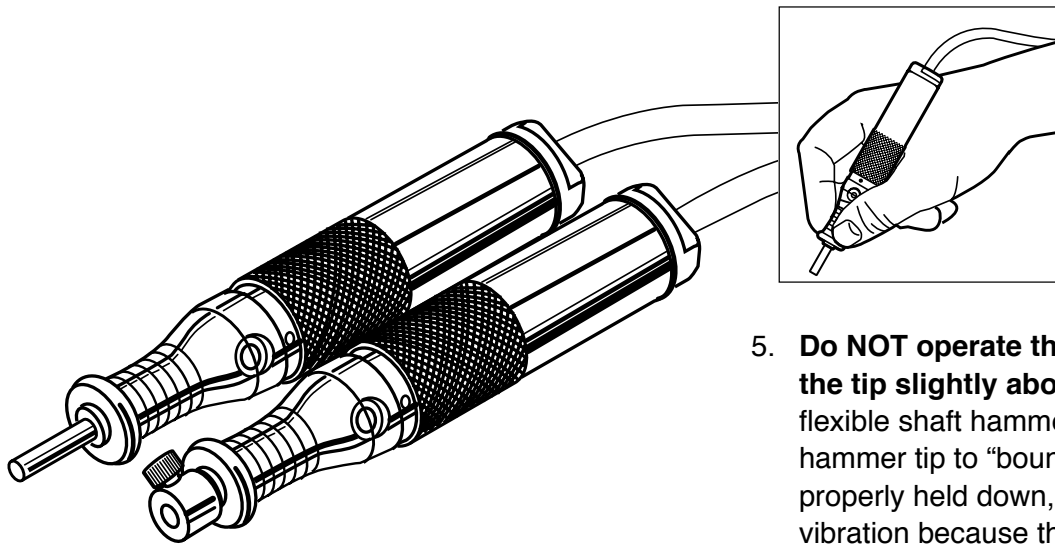


GRS Hammer Handpieces INSTRUCTIONS

#004-609 and #004-610



These hammer handpieces work very much like other GRS impact handpieces. Here are a few differences and tips the operator should note.

1. **Try an initial air pressure setting of 23 psi.** For GraverMax use, set the strokes speed to 1800 strokes per minute (SPM).

The user can change either of these initial settings based on experience once they are familiar with using the hammer.

2. **Try the following to “tune” the hammer handpiece.** Set the desired SPM. Hold the hammer pointing upward. Adjust the air pressure while keeping the foot control pressed all the way down. The user can “feel” when the air pressure is optimized for good power.
3. **When changing stroke speed and air pressure,** make small changes and see how it works. Making large changes in air pressure or strike speed may cause unusual results.

Also, different stroke speeds may require different air pressure settings for best results.

Try the 23 psi pressure and 1800 strokes per minute in the beginning!

4. **The hammer is usually held like a pencil.** The user should press the hammer tip down firmly on the work **BEFORE** using the foot control to start hammering.

5. **Do NOT operate the hammer by holding the tip slightly above the work** as with many flexible shaft hammers. Do NOT allow the hammer tip to “bounce” against the work. When properly held down, the user will feel very little vibration because the hammering is transmitted to the work, not the user’s hand. If you don’t press down firmly, the hammer may vibrate excessively and could be harder to control.
6. **The #004-609 Hammer Handpiece** has a threaded chuck that accepts screw-in hammer tips. The included tip is made of steel that can be ground to the desired shape.
7. **Since these tips are interchangeable** with other hammer tips (like Badeco tips from Switzerland), the user has several styles from which to choose. To remove and install this screw-in tip, put a small rod through the side hole and screw the tip in or out.
8. **The #004-610 Hammer handpiece** has a round hole and a side set screw to hold many different tools. You can use beading tools, small punches, even some gravers. This handpiece comes with several small hardened steel points that should be ground to the desired shape.

GRS

900 Overlander Road
P.O. Box 1153
Emporia, KS 66801 USA
800-835-3519 • 620-343-1084
Fax: 620-343-9640
grs@grstools.com
www.grstools.com